

# Installation Instructions



## 46 & 60MM MECHANICAL TEMPERATURE METER

### INSTALLATION MANUAL

**PART # 4401-SA018 / SA019 / SA020 & 4401-SA027 / SA028 / SA029 / SA051 / SA052 / SA053**

### NOTICE

This manual assumes that you have and know how to use the tools and equipment necessary to safely perform service operations on your vehicle. This manual assumes that you are familiar with typical automotive systems and basic service and repair procedures. Do not attempt to carry out the operations shown in this manual unless these assumptions are correct. Always have access to a factory repair manual. To avoid injury, follow the safety precautions contained in the factory repair manual.

NOTE: This meter can be used for reading oil and water temperature.

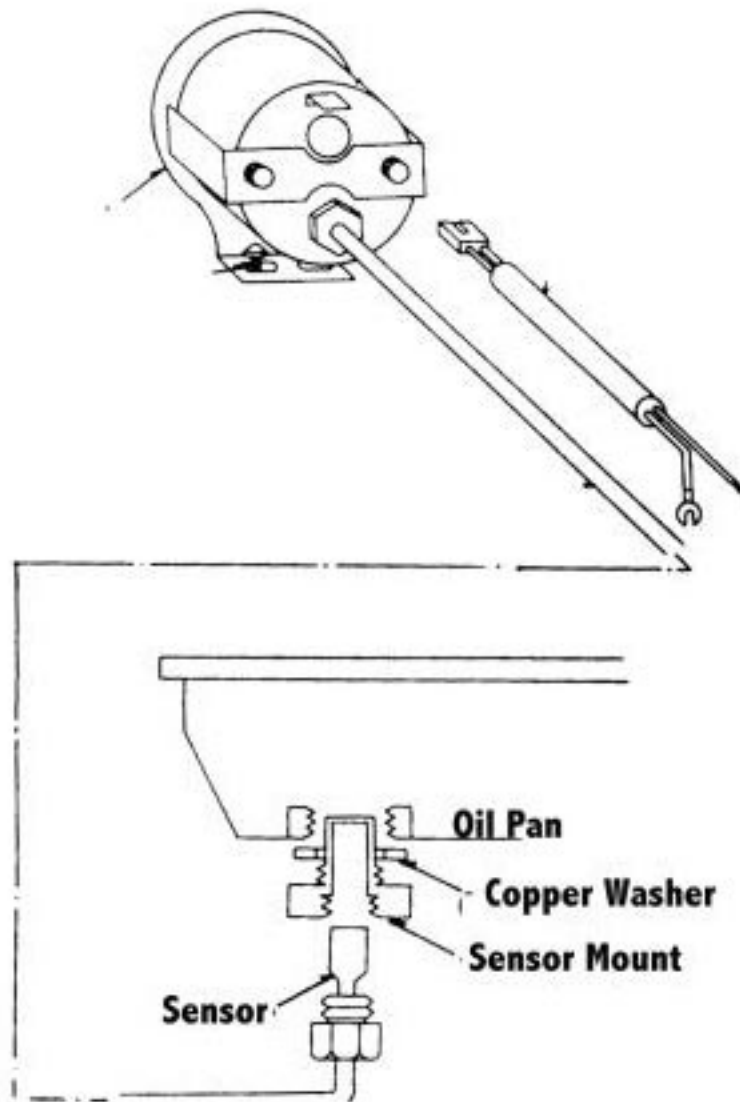
1. Disconnect the negative battery cable from the battery.
2. Route the temperature sensor line through the firewall to the location where the sensor will be mounted. Drill an 11mm hole w/ M12xP1.25 tap for the sensor mount. See the corresponding installation diagram for more details.
3. Plug the 2-wire harness into the back of the meter. Using the splice connector supplied with this kit, connect the yellow wire to a source that receives 12 volts when the parking light switch is in the "ON" position. Connect the black wire to a chassis ground.
4. Mount the meter in the desired location.
5. Reconnect the negative battery cable to the battery.
6. Verify that the meter illuminates when the parking lamp switch is in the "ON" position and that the meter reads temperature.
7. Use the tie wraps to secure any loose wires.

# Installation Instructions



## 46 & 60MM MECHANICAL TEMPERATURE METER

### Oil Temperature Example:



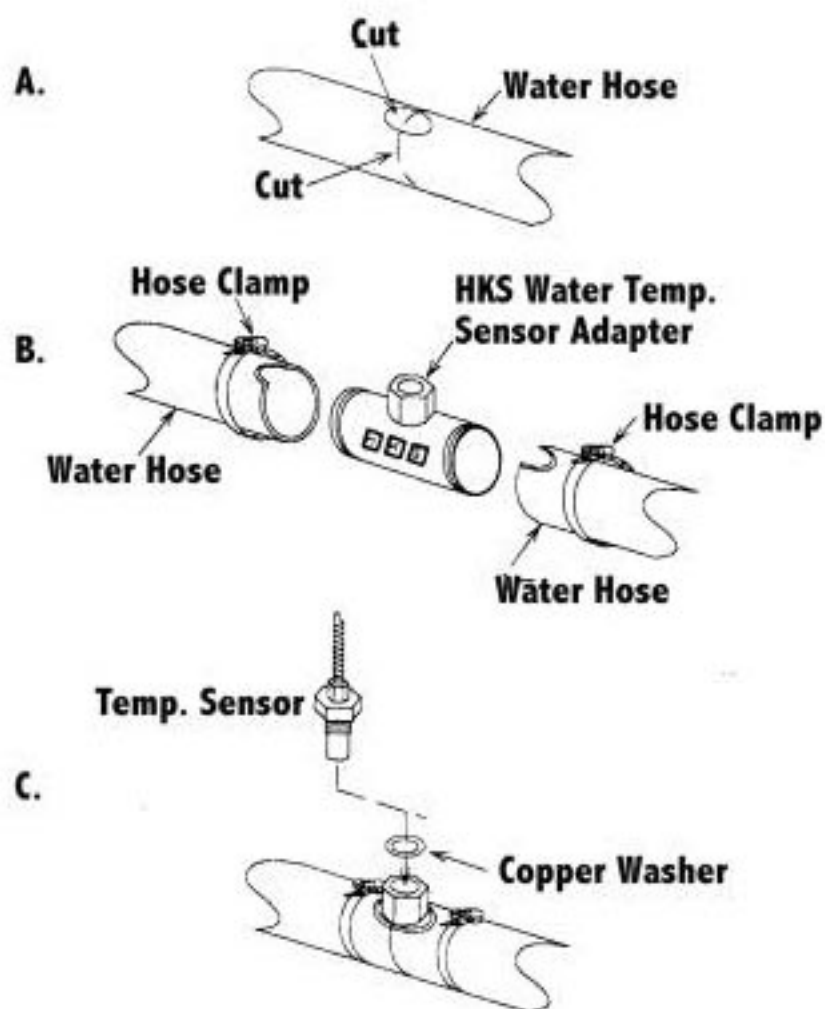
Yellow (illum.)  
Black (ground)

# Installation Instructions



## 46 & 60MM MECHANICAL TEMPERATURE METER

### Water Temperature Example:



(sold separately)

# Installation Instructions



## 46 & 60MM MECHANICAL TEMPERATURE METER

### PARTS LIST

QUANTITY	DESCRIPTION	COMMENTS
1	Meter Assembly	w/sensor line
1	Meter Mount	
1	Meter Bracket	
1	Illumination Harness	L=500mm
1	Splice Connector	red
3	Tie Wrap	L=100mm
1	Brass Washer	

HKS Water Temp. Sensor Adapters (sold separately)

4499-SA032 - 34mm ID  
4499-SA033 - 38.1mm ID  
4499-SA035 - 31.8mm ID